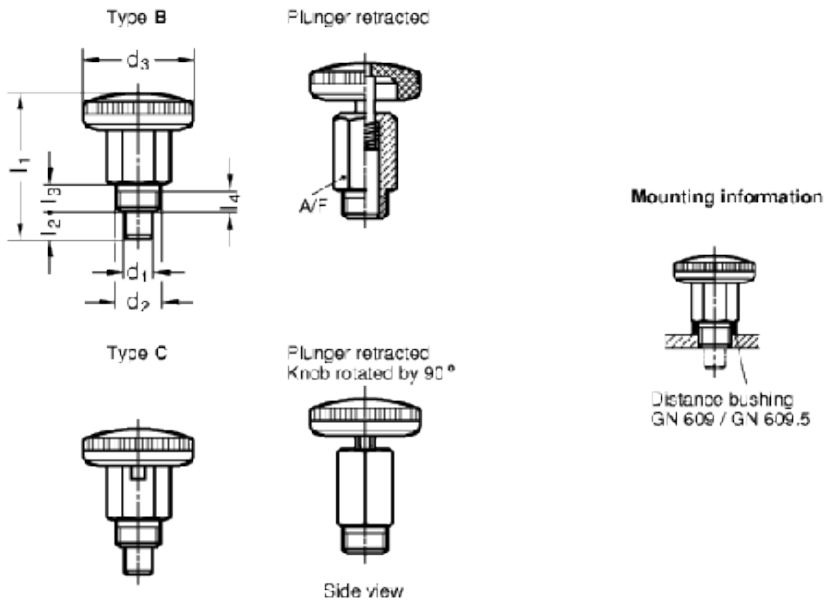


GN 822.1-NI

Mini indexing plungers

INOX
Stainless Steel



technical informations

Threaded body
AISI 303 stainless steel.

Plunger

AISI 303 stainless steel. Suggested matching hole with tolerance +0.05/0.1

"Push/Pull" knurled knob

Polyamide based (PA) technopolymer, black colour, matt finish, not removable.

Spring

AISI 301 stainless steel.

Standard versions available

- Type B: without rest position.
- Type C: with rest position - pull the knob and turn it by 90°.

Accessories on request

Distance bushings GN 609.5.

Features and applications

Mini indexing plungers GN 822.1-NI are known for their small dimensions. They have been designed for installation in thin walled sheet metal constructions.

Type C with rest position is used in such applications where the plunger must not protrude continually. In that case the knob is retracted and afterwards turned by 90°. A notch keeps the knob in this position.

Standard Elements	Main dimensions								Spring pressure in N \approx		Weight
Description	d ₁ 0/-0.06	d ₂	d ₃	l ₁	l ₂ min.	l ₃	l ₄ min.	A/F	Preload	Max. load	g
GN 822.1-4-B-NI	4	M8x0.75	21	26.5	5	5	3.5	10	4.5	12	120
GN 822.1-5-B-NI	5	M8x0.75	21	26,5	5	5	3.5	10	4.5	12	120
GN 822.1-6-B-NI	6	M10x1	25	34	7	7	4.5	12	5	18	120
GN 822.1-7-B-NI	7	M10x1	25	34	7	7	4.5	12	5	18	120
GN 822.1-4-C-NI	4	M8x0.75	21	26.5	5	5	3.5	10	4.5	12	120
GN 822.1-5-C-NI	5	M8x0.75	21	26.5	5	5	3.5	10	4.5	12	120
GN 822.1-6-C-NI	6	M10x1	25	34	7	7	4.5	12	5	18	120
GN 822.1-7-C-NI	7	M10x1	25	34	7	7	4.5	12	5	18	120



STANDARD MACHINE ELEMENTS WORLDWIDE